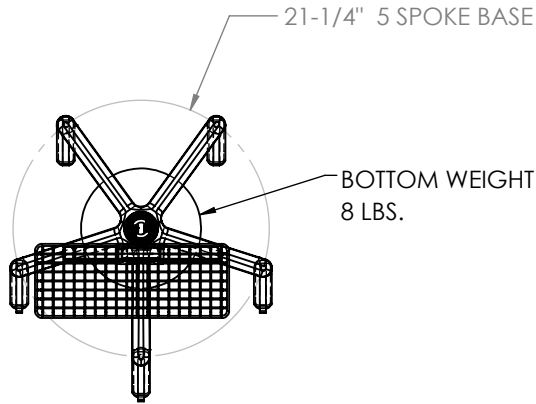
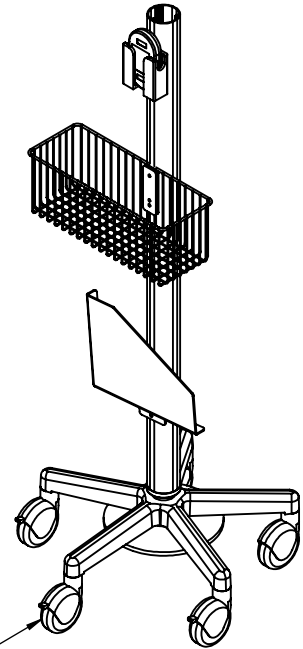


**SPEC SHEET**

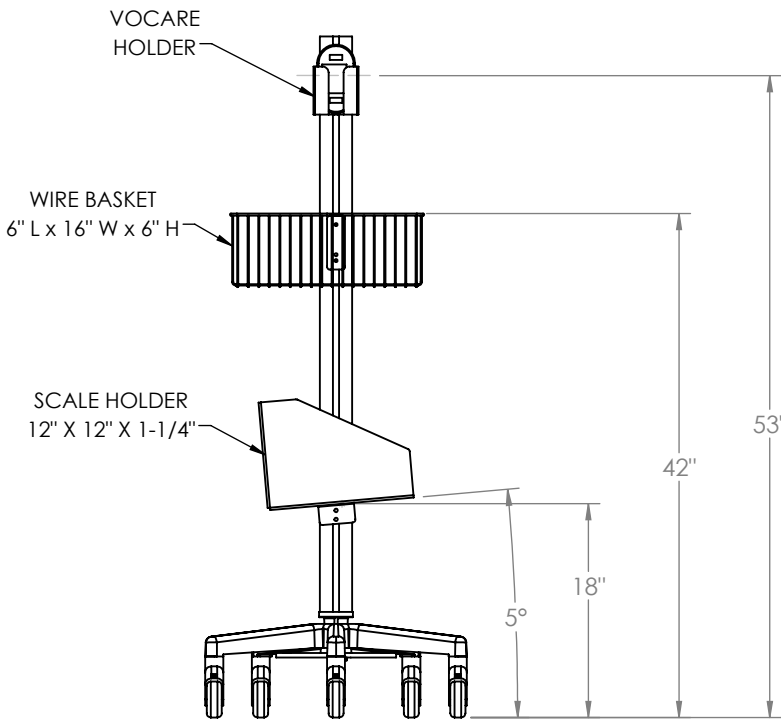


**TOP VIEW**

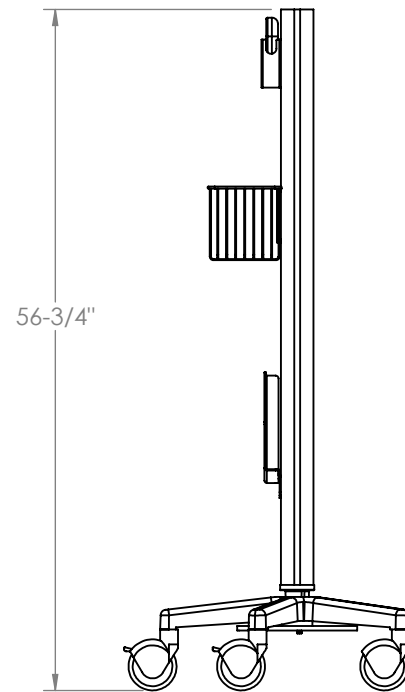
(2) Ø 4" COVERED CASTERS  
(3) Ø 4" COVERED LOCKING CASTERS



**ISOMETRIC VIEW**



**FRONT VIEW**



**SIDE VIEW**

**PROPRIETARY AND CONFIDENTIAL**

THE INFORMATION CONTAINED IN THIS DRAWING IS THE SOLE PROPERTY OF FIRST PRODUCTS. ANY REPRODUCTION IN PART OR AS A WHOLE WITHOUT THE WRITTEN PERMISSION OF FIRST PRODUCTS IS PROHIBITED.



DESCRIPTION:

**VOCARE POLE CART**

SIZE <b>A</b>	CART NO. <b>CC-0017-01</b>	REV -
WEIGHT: 20 LBS.		SHEET 1 OF 1